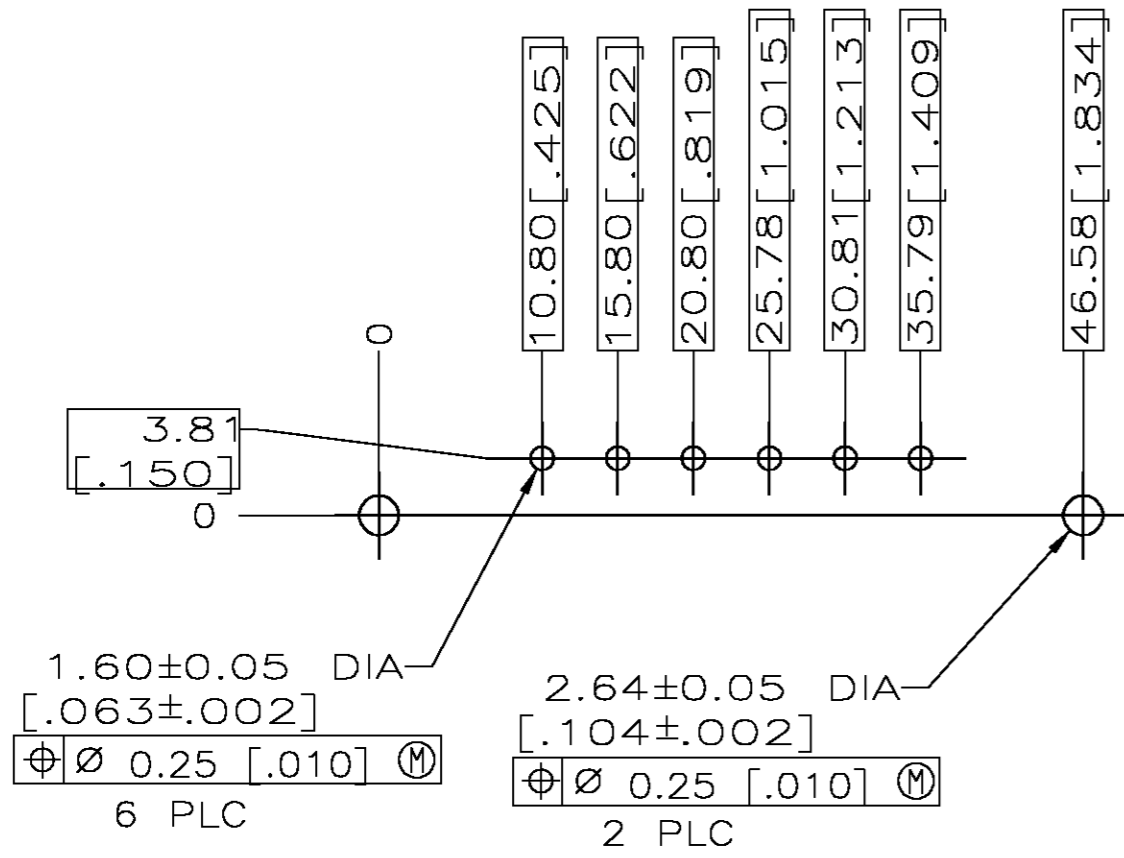
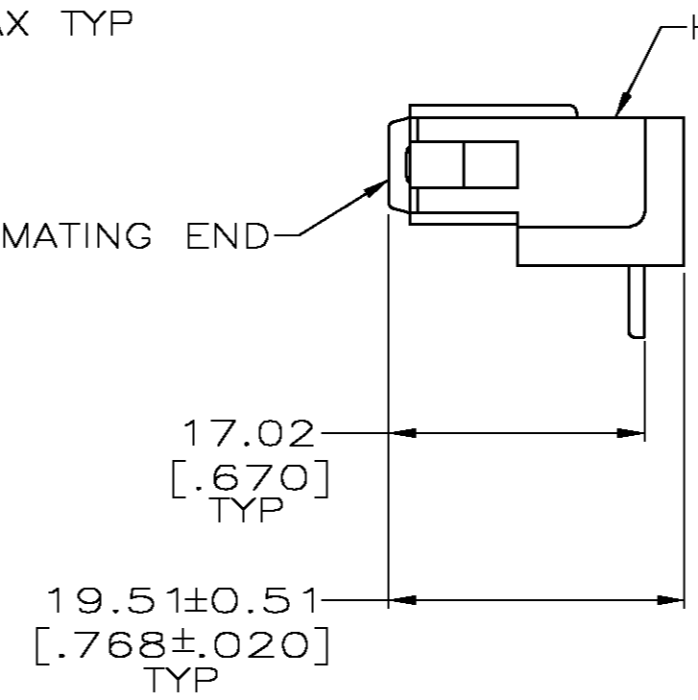
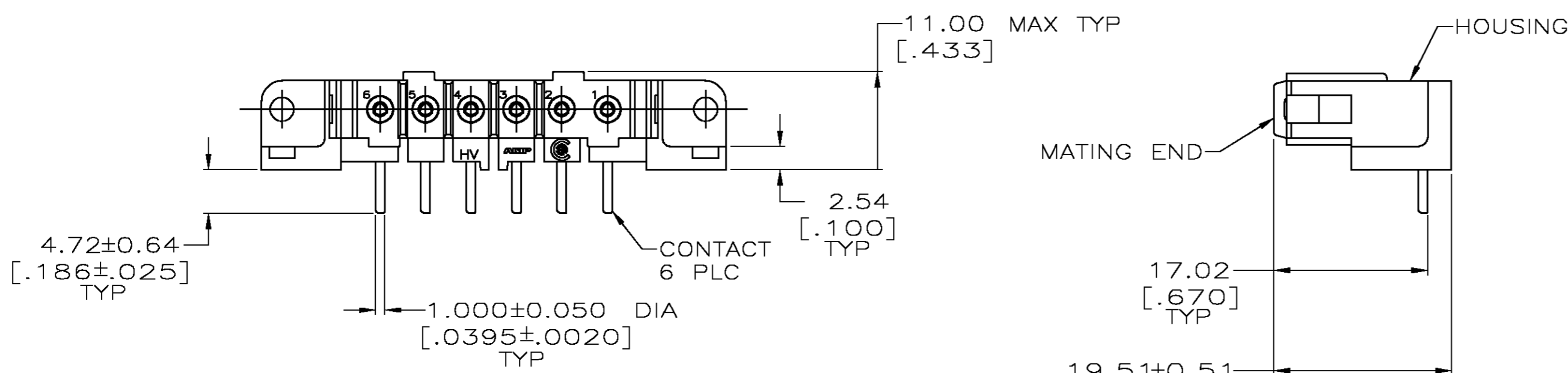
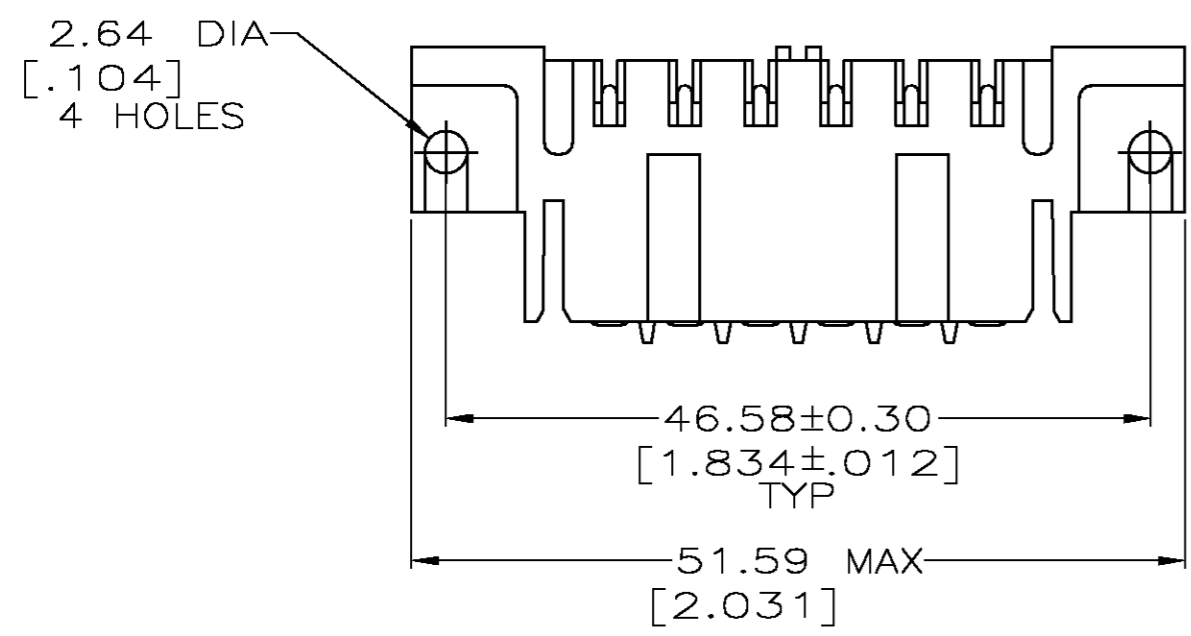


THIS DRAWING IS UNPUBLISHED. RELEASED FOR PUBLICATION  
 © COPYRIGHT BY TYCO ELECTRONICS CORPORATION. ALL RIGHTS RESERVED.

LOC		DIST		REVISIONS			
P	LTR	DESCRIPTION	DATE	DWN	APVD		
FT	0						
	J	REVISED PER 0G3B-0178-05	4/19/05	SS	GS		



RECOMMENDED PC BOARD LAYOUT

- 1 3.81um [0.000150] MIN TIN-LEAD OVER 0.76um [0.000030] MIN NICKEL.
- 2 0.76um [0.000030] MIN GOLD FOR A LENGTH OF 5.08 [0.200] MIN FROM MATING END, 3.81um [0.000150] MIN TIN-LEAD FOR A LENGTH OF 5.23 [0.206] MIN FROM OPPOSITE END, BOTH OVER 1.27um [0.000050] MIN NICKEL.
- 3 3.81um [0.000150] MIN TIN OVER 0.76um [0.000030] MIN NICKEL.
- 4 0.76um [0.000030] MIN GOLD FOR A LENGTH OF 5.08 [0.200] MIN FROM MATING END, 3.81um [0.000150] MIN TIN FOR A LENGTH OF 5.23 [0.206] MIN FROM OPPOSITE END, BOTH OVER 1.27um [0.000050] MIN NICKEL.

CONTACT FINISH	PART NUMBER
4	207610-7
3	207610-6
2	207610-3
1	207610-1

THIS DRAWING IS A CONTROLLED DOCUMENT.		DWN L.SIPE 06/06/92	Tyco Electronics Corporation Harrisburg, Pa 17105-3608	
DIMENSIONS: INCHES		CHK J.McCLINTON 8-11-92	NAME A.TRAVIS	
TOLERANCES UNLESS OTHERWISE SPECIFIED:		APVD 8-11-92	PRODUCT SPEC 108-10033	
0 PLC ± - 1 PLC ± - 2 PLC ± 0.25 [0.010] 3 PLC ± - 4 PLC ± - ANGLES ± -		APPLICATION SPEC		SIZE A2
MATERIAL HSG: NYLON, RED		FINISH CONTACTS: SEE TBL	WEIGHT -	CAGE CODE 00779
			SCALE 2:1	DRAWING NO C=207610
			SHEET 1 OF 1	RESTRICTED TO -
			REV J	